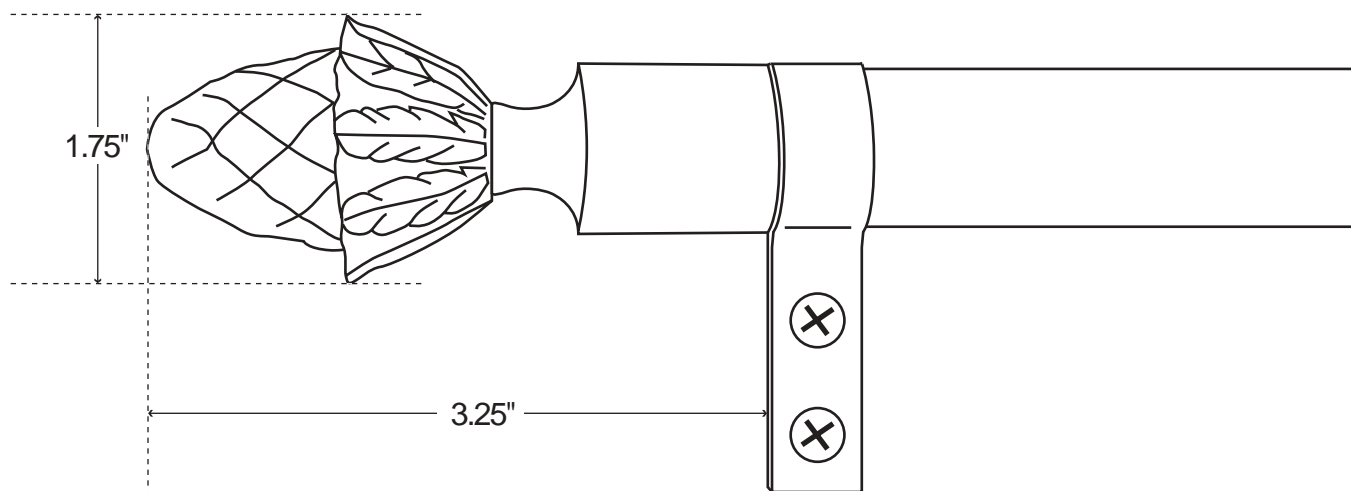




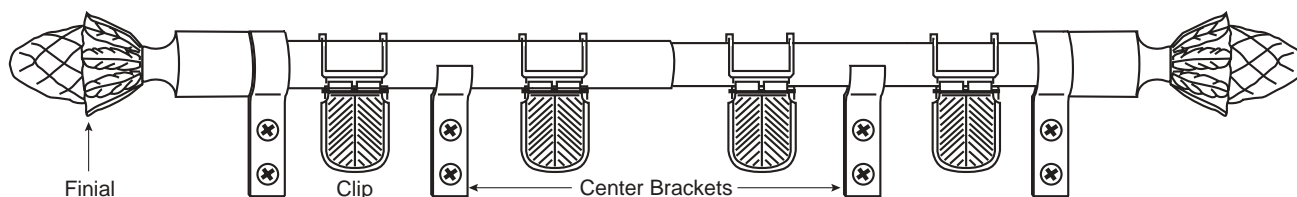
# Legacy

PATENT #5,318,174

WALL HANGER



## LEGACY ADJUSTABLE WALL-HANGER COLLECTION INSTALLATION INSTRUCTIONS



1. With finials and end brackets attached to rod, expand the rod to desired length. If hanging a rug or tapestry with a sleeve or pocket on the back, separate rods and slide them into the pocket first.
2. Hold rod in desired position against the wall and mark position of holes in the left end bracket.
3. While supporting the right side of the rod install the left end bracket using screws provided. You must use wall anchors suitable for your wall material if screws are not installed into a stud.
4. Locate desired position of the right end bracket by verifying the rod is expanded to the desired length and level the rod. Install right end bracket.
5. Once Wall Hanger end brackets are installed, place center support brackets in desired positions and install. You must use wall anchors suitable for your wall material if screws are not installed into a stud.
6. If clips are being used, attach clips to rug or tapestry and hang by placing clips over the rod.

ALL PARTS ARE LACQUER COATED TO RESIST TARNISHING. DO NOT USE BRASS CLEANER OR OTHER ABRASIVES. TO CLEAN, SIMPLY WIPE WITH A SOFT DRY CLOTH.

PERIODICALLY CHECK AND TIGHTEN ALL SCREWS AND HARDWARE.